



## Coil Heaters

for the plastic processing industry

Coil heaters offer an uniform distribution of heating power in confined space. High heating power, slim construction, small bending radius and good durability against mechanical damage are making coil heaters the element of choice for many tricky applications.

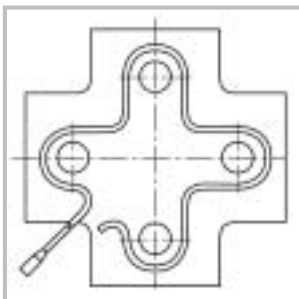
Coil heaters are widely used in the plastics industry, the packaging industry, the textile industry and in the die-casting industry. Coil heaters can be supplied with built-in thermocouple for applications where there is insufficient space to mount a separate temperature sensor.

They can be supplied in straight sticks for bending and insertion into machined grooves on the tool. Alternatively, the heaters are coiled by the unitemp factory to customers' specification.

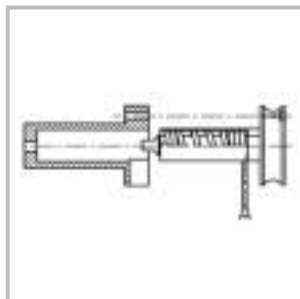
Coil heaters can be supplied with reflection tube or cast-in for added robustness and better heat transfer.



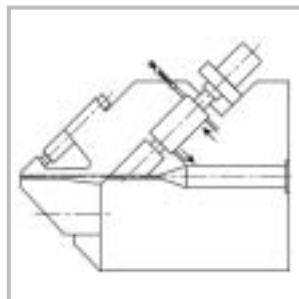
## Applications



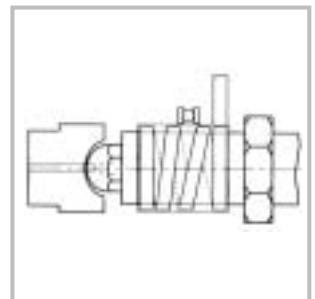
Heating of manifolds and plates



Heating of hot runner nozzles



Heating of slot dies



Heating of machine nozzles



### Reflection tube

Coil heater with reflection tube

- increase of max. surface load
- protection from mechanical load

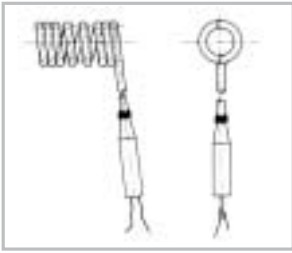


### Clamping band

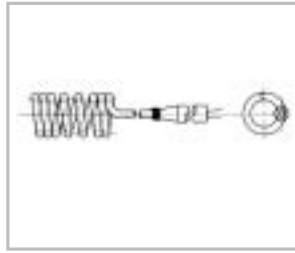
Coil heater with clamping band

- high grade clamping possibility for improving the heat transfer
- increase of max. surface load
- protection from mechanical load

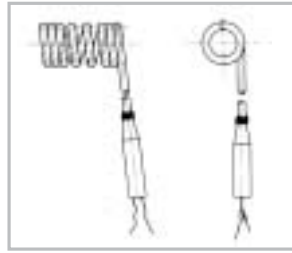
## Construction Details



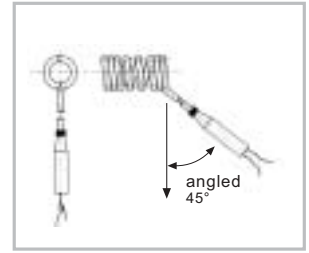
R= Radial exit



A= Axial exit



T= Tangential exit



B= Angled exit

## Order code and options

**UHS** [ ] [ ] [ ] [ ] [ ] [ ] [ ] [ ] [ ] [ ] [ ]

Type	
WRP / F / 2.2 x 4.2	J
WRP / Maxi / 4.6 x 8.6	M

Themocouple	
None	-
"J" type Themocouple	J

Inside coil diameter (IØ mm)

Width of coil element (L mm)

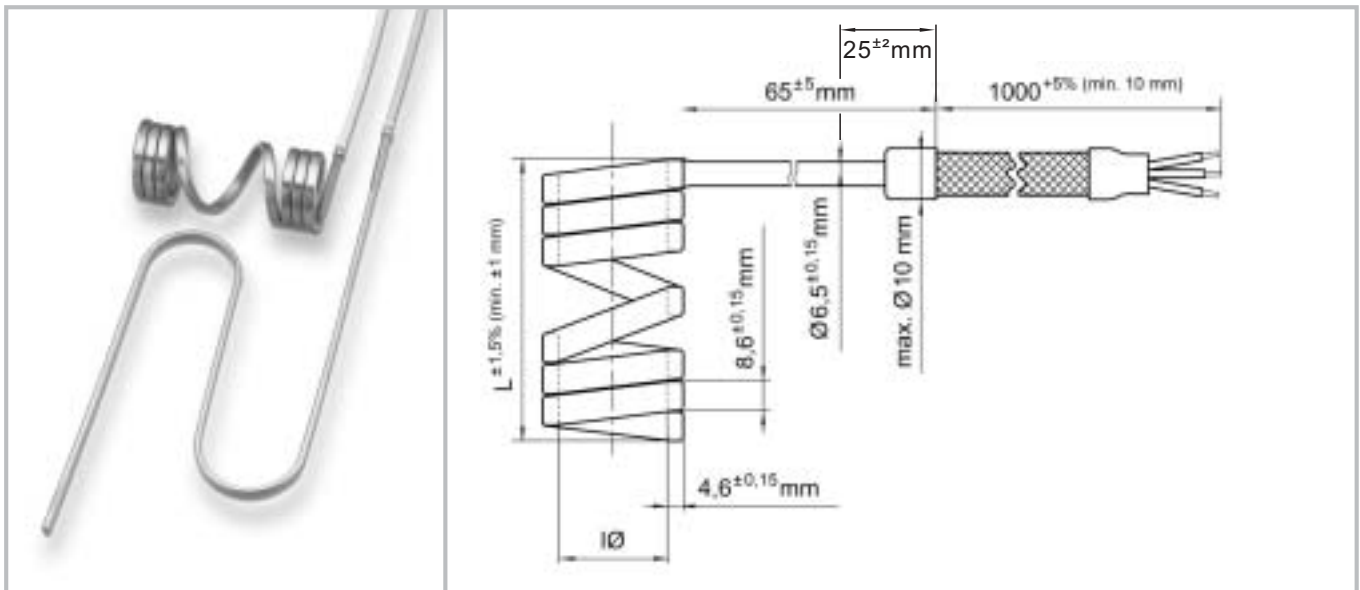
Wattage at 230V (see table)

Termination	
Radial	R
Tangential	T
Axial	A
Axial angled at 45°	B

Fittings	
None	-
Reflection tube	R
Outer clamp	B

unitemp reserves the right to make any kind of design or functional modification without prior notice.

## WRP / Maxi / 4.6 x 8.6



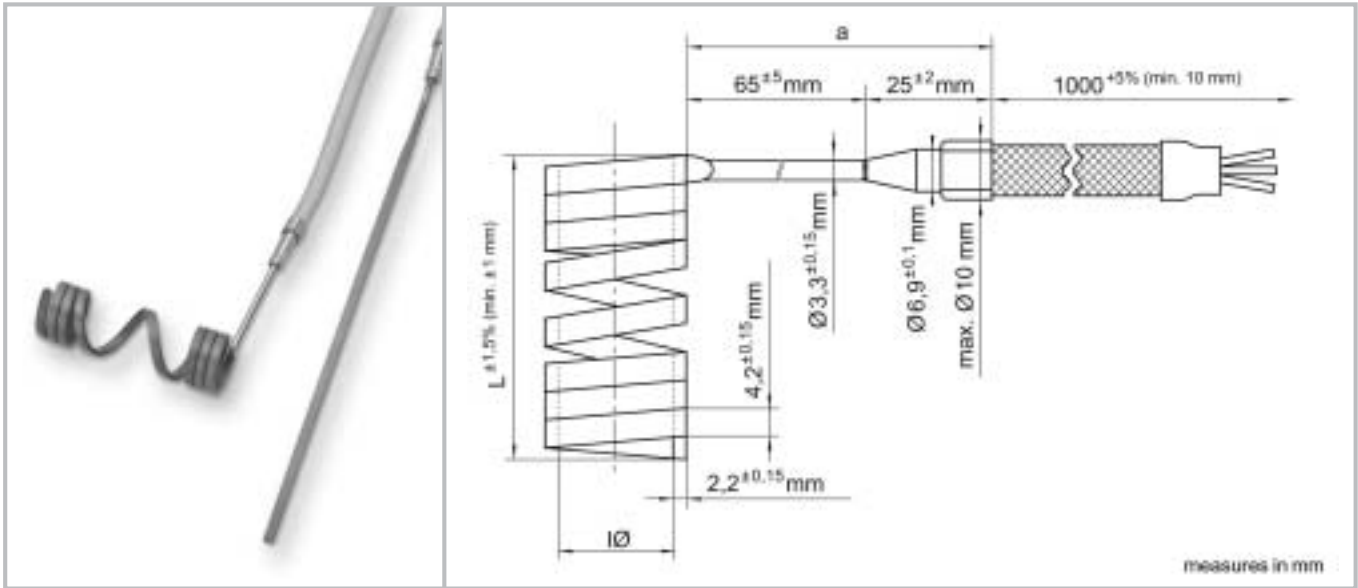
IØ (mm)	coiled length L (mm)						
	20	40	60	80	100	120	140
20		300	450	550	550	800	800
22		300	450	550	800	800	800
24		300	550	550	800	800	800
26		300	500	550	800	1000	1000
28 / 30		450	500	550	800	1000	1000
32		450	500	800	1000	1000	1000
34		450	800	800	1000	1000	
36		450	800	800	1000		
38 / 40		550	800	800	1000		
42 / 44 / 46		550	1000	1000			
48 / 50 / 52		550	1000	1000			
54		550	1000	1000			
56 / 58 / 60		800	1000				
62 / 64	300	800	1000				
66 / 68 / 70	300	800					
72 / 74	300	800					
76 / 78 / 80	300	1000					
82 / 84 / 86	300	1000					
88 / 90 / 92	450	1000					
94 / 96 / 98	450	1000					
100	450	1000					

wattage in Watt at 230 V

Maxi standard with 1000mm silicon cable with a stainless steel braiding covering		
stock code	heated length (mm)	wattage at 230V(watt)
UHSM-4-300-250D	250	300
UHSM-4-450-350D	350	450
UHSM-4-550-450D	450	550
UHSM-4-800-650D	650	800
UHSM-4-A00-850D	850	1000
with built-in thermocouple type "J" (Fe-CuNi)		
UHSMJ4-300-250D	250	300
UHSMJ4-450-350D	350	450
UHSMJ4-550-450D	450	550
UHSMJ4-800-650D	650	800
UHSMJ4-A00-850D	850	1000
UHSMJ6-A00-A05D	1050	1000
UHSMJ6-A10-A25D	1250	1100
UHSMJ6-A20-A45D	1450	1200
UHSMJ6-A40-A85D	1850	1400
UHSMJ6-A50-B05D	2050	1500

unitemp reserves the right to make any kind of design or functional modification without prior notice.

# WRP / F / 2.2 x 4.2



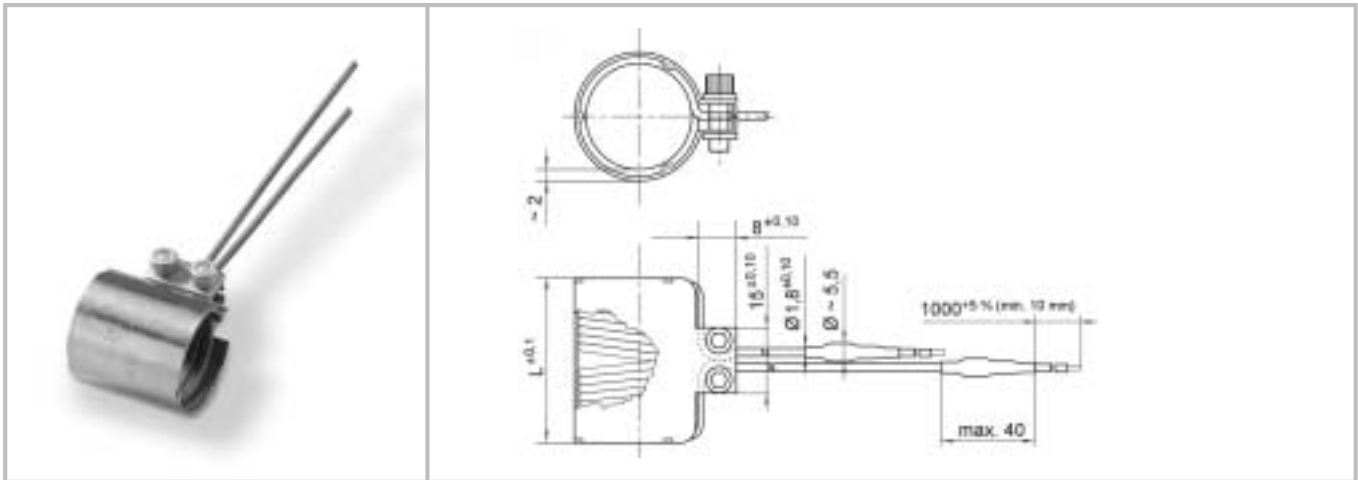
Ø (mm)		coiled length L (mm)									
mm	inch	20	40	60	80	100	120	140	160	180	200
10.0			195	240	350	350	350	400	460	460	610
12.0			215	295	400	400	400	460	610	610	610
12.5	1/2"		215	295	400	400	400	460	610	610	690
14.0			240	350	400	400	460	610	610	690	690
15.0			240	400	460	460	610	610	610	690	
16.0	5/8"		240	400	460	460	610	610	690	690	
18.0			295	400	610	610	610	690	690		
19.0	3/4"		295	400	610	610	610	690			
20.0			295	460	610	610	690	690			
22.0	7/8"	195	350	610	690	690	690				
24.0		195	400	610	690	690					
25.0	1"	215	400	610	690	690					
28.0		215	460	690							
30.0		240	460	690							
32.0	1 1/4"	240	460	690							
35.0		295	610								
38.0	1 1/2"	295	610								
40.0		295	610								
42.0		350	610								
45.0		350	960								
48.0		400	690								
50.0	2"	400	690								
		wattage in Watt at 230 V									

WRP / F / 2.2x4.2 / all come standard with 1000mm silicon with a fibreglass sleeving cover		
stock code	heated length (mm)	wattage at 230V(watt)
UHSJ-2-170-200D	200	170
UHSJ-2-195-250D	250	195
UHSJ-2-215-280D	280	215
UHSJ-2-240-335D	335	240
UHSJ-2-295-385D	385	295
UHSJ-2-350-460D	460	350
UHSJ-2-400-520D	520	400
UHSJ-2-460-600D	600	460
UHSJ-2-610-760D	760	610
UHSJ-2-690-900D	900	690
with built-in thermocouple type "J" (Fe-CuNi)		
UHSJJ2-170-200D	200	170
UHSJJ2-195-250D	250	195
UHSJJ2-215-280D	280	215
UHSJJ2-240-335D	335	240
UHSJJ2-295-385D	385	295
UHSJJ2-350-460D	460	350
UHSJJ2-400-520D	520	400
UHSJJ2-460-600D	600	460
UHSJJ2-610-760D	760	610
UHSJJ2-690-900D	900	690

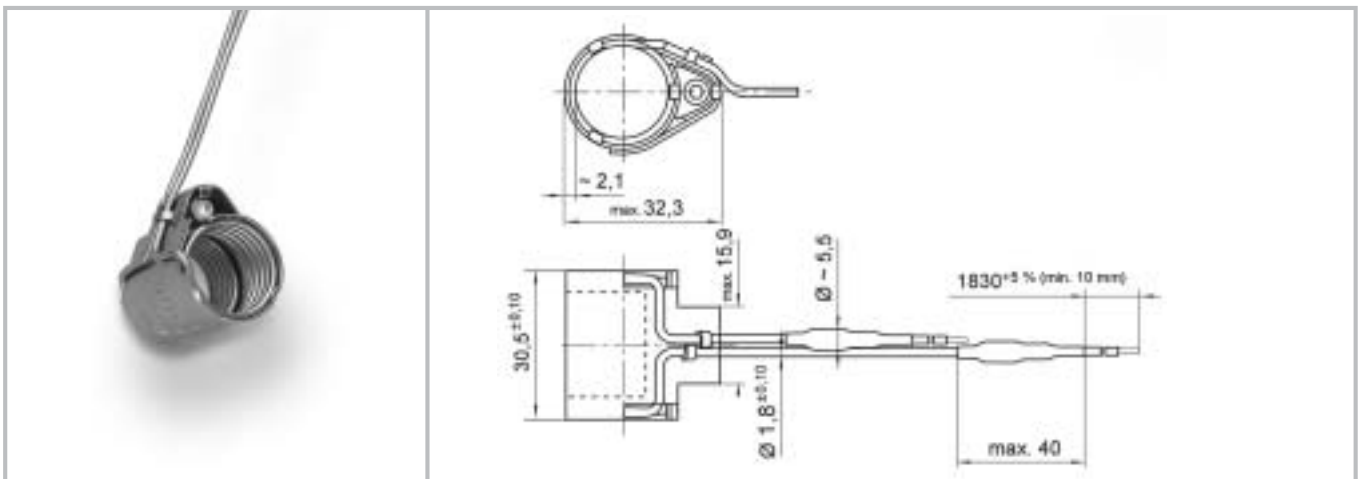
unitemp reserves the right to make any kind of design or functional modification without prior notice.

**WRP / Mini / F / 1.3 x 2.3**

clamping band with tangential screwing

**WRP / Mini / F / 1.3 x 2.3**

clamping band with axial screwing



## Stock Codes

UHSEC1A2681930D	WRP / Mini / F / 1.3x2.3 / 19.05 dia x 30.5 / 268W 240V / with clamping band (axial fitting) "Husky"
UHSEC1A2682230D	WRP / Mini / F / 1.3x2.3 / 22.2 dia x 30.5 / 268W 240V / with clamping band (axial fitting) "Husky"
UHSEB1R1251925D	WRP / Mini / F / 1.3x2.3 / 19.05 dia x 25.4 / 125W 240V / with clamping band (tangential fitting)/std "Husky"
UHSEB1R2501925D	WRP / Mini / F / 1.3x2.3 / 19.05 dia x 25.4 / 250W 230V / with clamping band (tangential fitting)/std "Husky"
UHSEB1R1251930D	WRP / Mini / F / 1.3x2.3 / 19.05 dia x 30.5 / 125W 240V / with clamping band (tangential fitting)/std "Husky"
UHSEB1R2501930D	WRP / Mini / F / 1.3x2.3 / 19.05 dia x 30.5 / 250W 230V / with clamping band (tangential fitting)/std "Husky"
UHSEB1R1252230D	WRP / Mini / F / 1.3x2.3 / 22.20 dia x 30.5 / 125W 240V / with clamping band (tangential fitting)/std "Husky"
UHSEB1R2502230D	WRP / Mini / F / 1.3x2.3 / 22.20 dia x 30.5 / 250W 240V / with clamping band (tangential fitting)/std "Husky"

# WRP / M

cast in brass

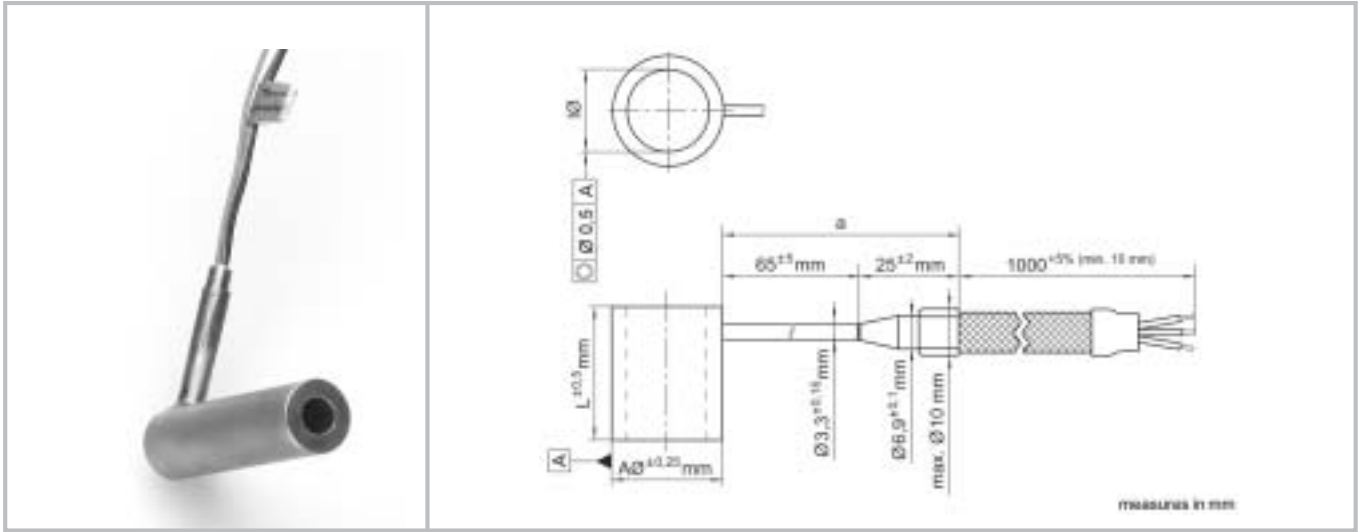


Chart for minimum and maximum length and diameter

inside - Ø in mm	min. length L in mm	max. length L in mm	wall thickness in mm
12 - 25	25	120	4.5 - 5.5
16 - 18	25	200	4.5 - 5.5
19 - 21	25	150	4.5 - 5.5
22 - 26	25	100	4.5 - 5.5
27 - 36	36	100	4.5 - 5.5
37 - 41	36	90	4.5 - 5.5
40	35	80	5.0 - 5.5
43	35	70	4.5 - 5.5
46	35	70	5.5
53	35	60	5.5
58	35	50	5.0 - 5.5
59	35	50	5.5

Order details  
WRP / M

+ inside-Ø	
+ tolerance of inside-Ø	
+ length	
position of coils	
wattage	
voltage	
exit	
connection length	
thermocouple	

**Standard details**

- Coil Heater cast in brass with outer sheath of stainless steel
- wall thickness 4.5 up to 5.5 mm, depending on integrated coil heater
- for inside diameter, min. and max. length and wall thickness see table.
- voltage: 230 V
- exit axial, radial or tangential
- connection option: 1000 mm PTFE-insulated leads, earth and glass silk protective sleeving

**Options**

- with or without integrated thermocouple (grounded or not grounded)  
Fe-CuNi or NiCr-Ni available
- reinforcement tube covering the unheated zone as protection against bending or breaking damages
- other types on request considering the technical data

unitemp reserves the right to make any kind of design or functional modification without prior notice.